

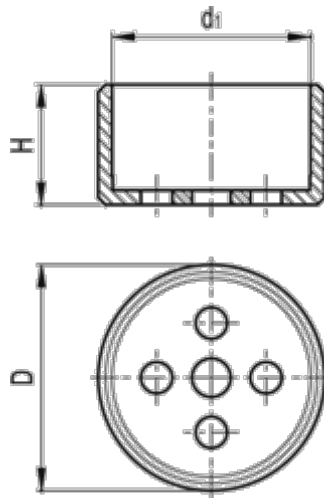
Data Sheet



Article number: 20658022

Description: E+G Guide pot
GN 187.1-22-ST

Measures



$D - 0.5 = 26$

$d_1 + 0.2/+0.3 = 22$

$H = 14.5$

Note = For GN 187.4-22

Weight (g) = 20